

**Refrigeration Equipment
1-Hinged Glass Door Full Height Ice
Cube Merchandiser Freezer 26.75
" Long**

ITEM # _____

MODEL # _____

NAME # _____

SIS # _____

AIA # _____



738321 1-Hinged Glass Door Full Height Ice Cube
(KCHGICM23FB) Merchandiser Freezer 26.75" Long

Short Form Specification

Item No. _____

1-glass door freezer with exterior back, bottom, and top panels in galvanized steel, exterior side panels in painted steel; interior back, side, top in painted aluminum, and interior bottom panel in 304 stainless steel. Electronic control.

R290 gas in refrigeration circuit.
ETL Safety and Sanitation certified.
3/5 Years warranty

Main Features

- External digital temperature display.
- Removable gasket for easy cleaning operations.
- Fin & Tube Condenser improves performance in high temperature environments.
- Automatic Defrost Cooling System provides worry-free performance.
- Electronic Temperature Control, quick and simple to set, with control display for easy monitoring.
- Cabinet completely insulated with high density polyurethane for low environmental impact.
- Back bottom mounted cooling unit guarantee an easy access and cleaning.

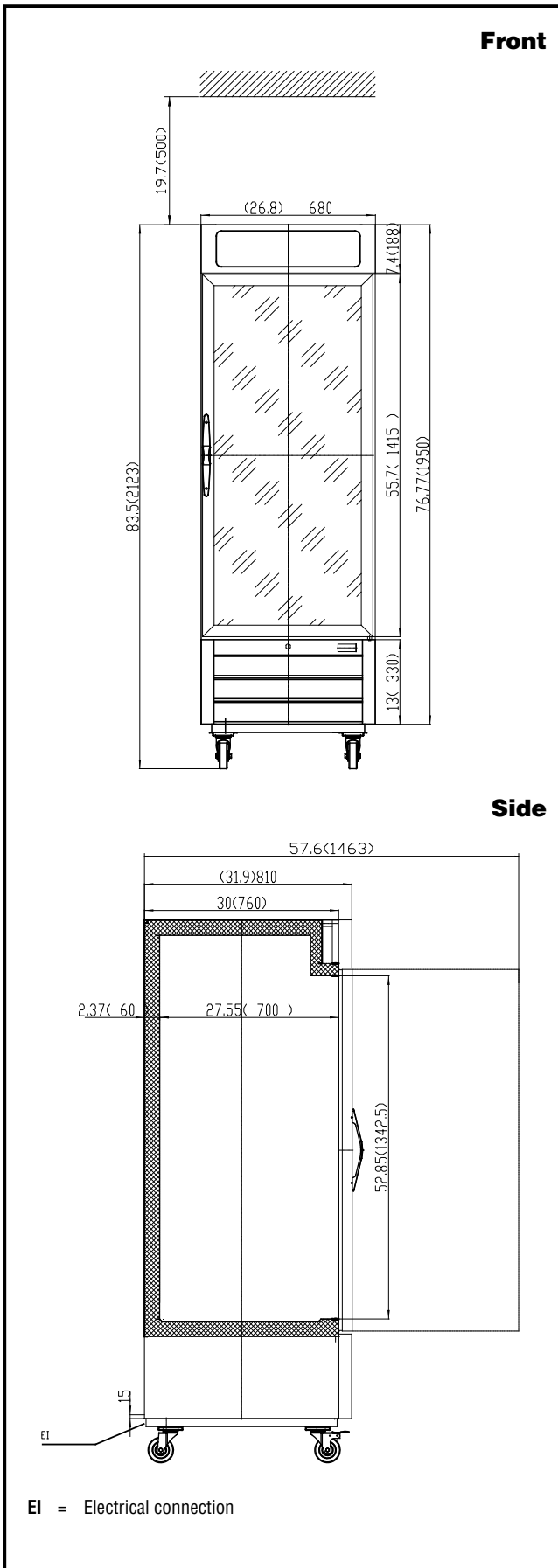
Construction

- Lockable door.
- Heavy duty casters.
- Pre-wired heavy duty power cord.
- Heavy duty door hinges.
- Magnetic gasket removable without tools for easy cleaning.

Sustainability

- CFC and HCFC free, highly ecological refrigerant type: R290 (ecological gas in foam: cyclopentane). Hydrocarbon refrigerant gas R290 for the lowest environmental impact (GWP=3), to reduce green house and ozone depletion effects.
- High efficiency components to minimize the energy consumption still guaranteeing the highest performances.

APPROVAL: _____



Electric

Supply voltage:	738321 (KCHGICM23FB)	115 V/1 ph/60 Hz
Electrical power, max:		0.96 kW
Plug type:		NEMA 5-15

Capacity:

Gross capacity:	21.3 cu.feet
-----------------	--------------

Key Information:

Capacity:	21.316 cu.ft.
External dimensions, Width:	26 3/4" (680 mm)
External dimensions, Depth:	31 7/8" (810 mm)
External dimensions, Height:	83 11/16" (2126 mm)
Internal Dimensions (depth):	27 1/2" (698.5 mm)
Internal Dimensions (height):	52 3/8" (1330.96 mm)
Internal Dimensions (width):	22 3/16" (563.88 mm)
Shipping height:	85 13/16" (2180 mm)
Shipping weight:	342 lbs (155 kg)
Shipping volume:	49.05 ft ³ (1.39 m ³)
Type of external material:	Black Prepainted Steel
Type of internal material:	White Prepainted Aluminium
Warranty:	3 / 5 years
Approvals	ETL C&US;ETL SANITATION

Refrigeration Data

Compressor power:	1 hp
Operating temperature min.:	17.6 °F
Operating temperature max.:	23 °F
Condenser type:	Fin & tube
Defrost type:	Automatic

Sustainability

Current consumption:	8 Amps
Refrigerant type:	R290
GWP Index:	3
Refrigerant weight:	110 g



Refrigeration Equipment
1-Hinged Glass Door Full Height Ice Cube Merchandiser Freezer 26.75" Long

The company reserves the right to make modifications to the products without prior notice. All information correct at time of printing.